

CITY OF YORK COUNCIL SUMMONS

All Councillors, relevant Council Officers and other interested parties and residents are formally invited to attend a Annual meeting of the **City of York Council** at the **Guildhall, York**, to consider the business contained in this agenda on the following date and time:

Thursday, 21 May 2009 at 11.00 am

A G E N D A

1. Declarations of Interest

At this point Members are asked to declare any personal or prejudicial interests they may have in the business on this agenda.

2. Appointment of Lord Mayor

To appoint a Lord Mayor for the Municipal Year 2009/2010.

3. Appointment of Sheriff

To appoint a Sheriff for the Municipal Year 2009/2010.

4. Appointment of Deputy Lord Mayor

To appoint a Deputy Lord Mayor for the Municipal Year 2009/2010.

5. Formal Business of Council - Allocation to Seats and Appointments to the Executive, Committees and Other Bodies 2009/2010 (Pages 3 - 76)

To receive a report which asks Council to:

- a) Appoint the Executive Leader, Deputy Leader and members of the Executive and Shadow Executive for the Municipal Year 2009/2010 and approve their portfolios (Annex A);
- b) Agree arrangements for the distribution of places on Member bodies associated with the City of York Council, in accordance with Section 15 of the Local Government and Housing Act 1989 (Annex B);
- c) Appoint the Chairs, Vice-Chairs and membership of the Council's Committees, Boards and other Member bodies, including any partnership arrangements and representatives on Outside Bodies, for the Municipal Year 2009/2010 (Annex C).

6. Urgent Business

To consider any business brought before the Council by the Lord Mayor on the grounds of urgency, in accordance with the provisions of the Local Government Act 1972.

Democracy Officer for this meeting:

Name: Fiona Young

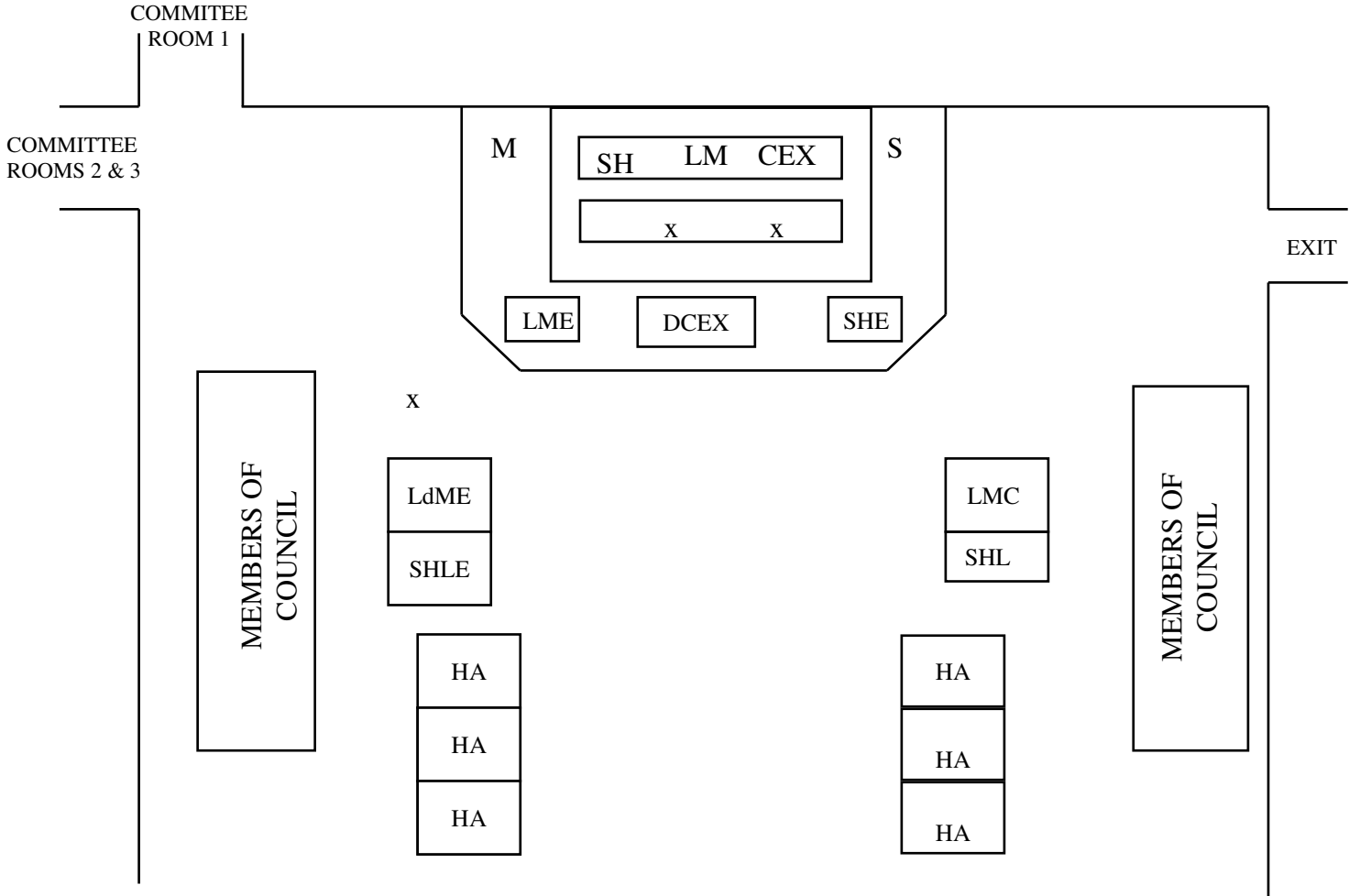
Contact details:

- Telephone – (01904) 551027
- E-mail – fiona.young@york.gov.uk

For more information about any of the following please contact the Democracy Officer responsible for servicing this meeting:

- Registering to speak
- Business of the meeting
- Any special arrangements
- Copies of reports

Contact details are set out above.



- LM - Lord Mayor
- LMC - Lord Mayor's Consort
- SH - Sheriff
- SHL - Sheriff's Lady

- LME - Lord Mayor Elect
- LdME - Lady Mayoress Elect
- SHE - Sheriff Elect
- SHLE - Sheriff's Lady Elect

- CEX - Chief Executive
- DCEX - Deputy Chief Executive

- HA - Honorary Alderman
- S - Sword Bearer
- M - Mace Bearer

- X - Microphones

This page is intentionally left blank



Annual Council Meeting

21 May 2009

Report of the Head of Civic, Democratic and Legal Services

Allocation to Seats and Appointments to Executive, Committees and Other Bodies 2009/10

Summary

1. At its Annual General Meeting, Full Council considers the allocation to seats on Committees and other bodies every year and appoints an Executive (including Executive/Council Leader) together with other Committees and bodies which it wishes to establish for the coming Municipal Year.

Background

2. Every year, Full Council makes the appointments and allocates those places on Committees etc. it wishes to set up, as referred to below:
 - Allocation of places on Committees/bodies in accordance with the political proportionality requirements under the 1989 Local Government & Housing Act and commensurate with the 2000 Local Government Act introducing executive arrangements;
 - Establishment of an Executive with Executive/Council Leader;
 - Agreement of Executive portfolio areas for individual Executive Members;
 - Appointment of Members to Committees, outside & partnership bodies etc..

Appointment of an Executive and Executive/Council Leader

3. Under agenda item 5(a), Full Council is asked to appoint an Executive and Executive Leader. Annex A to this report gives two alternative options for forming an Executive and Shadow Executive:
 - (1) **Option 1:** Liberal Democrat Group (20 Council Members) to form the Executive, with a proposal for Councillor Waller to be Executive Leader. Under this option, a Shadow Executive to be formed by the Labour Group (18 Council Members);

Note: This option also includes nominations for Councillor Sue Galloway (Liberal Democrat) as Chair of Licensing & Gambling Acts Committee and Cllr D'Agorne (Green) as Cycling Champion.

- (2) **Option 2:** Labour Group to form the Executive, with a proposal for Councillor Scott to become Executive Leader. Under this option, a Shadow Executive to be formed by the Liberal Democrat Group.

Note: This option also includes nominations for Councillor Merrett (Labour) as Chair of Licensing & Gambling Acts Committee and also as Cycling Champion.

4. Members will be asked to vote for one of the above two options at the Annual Council Meeting, without debate. However, it should be noted that Option 2 does not, at present include any nominations for Liberal Democrat Chairs of the Scrutiny Committees, in the event of a Labour Executive being agreed. In the light of the previous decision made by Council for only main Opposition Groups to chair Scrutiny Committees and in the interests of completeness, it is hoped to circulate that information prior to the meeting.

Allocation of Seats

5. Under agenda item 5(b), full Council is asked to apply proportionality to those available seats to which proportionality must be applied under the terms of the Local Government Act 2000 and Local Government & Housing Act 1989. Such proportionality does not apply to single party Executives or Shadow Executive. Council is also asked to consider applying proportionality to the remaining bodies it chooses to set up, in accordance with previous practice. Full details are contained in Annex B to this report.

Appointments to Committees, Working Groups, Outside & Partnership Bodies

6. Further to the allocation of seats referred to above, under agenda item 5(c), Full Council is asked make appointments to those Committees and other bodies set out in Annex C. These arrangements include the establishment of and nominations to an Appointments Panel for the recruitment of a new Chief Executive, in light of the current postholders recent announcement. Attached at Annex C(i) is a report setting out the process for establishing an Appointments Panel.

Consultation

7. In accordance with the usual processes for gathering nominations to available places at the Annual Council Meeting, all party Groups have been consulted on and provided with the necessary information on available

places. Details of the relevant consultation in establishing an Appointments Panel for the recruitment of a new Chief Executive are set out in the report at Annex C(i).

Options

8. Options open to the Council are:
- (i) to approve the proportionality arrangements set out in Annex B or not;
 - (ii) to establish an Executive with Executive Leader based on either of the proposed options set out in paragraph 4 above;
 - (iii) to make the appointments to Committees and other bodies set out in Annex C or propose alternatives;

Corporate Priorities

9. Establishing an Executive and Executive Leader together with an appropriate decision making and scrutiny structure, contributes to the Council's Corporate Value relating to establishing strong Council leadership.

Implications

10. There are no known implications in relation to the following in terms of dealing with the specific matter before Members, namely to consider the allocation of seats and places and the nominations to the Executive, Executive Leader and other bodies :

- **Financial**
- **Human Resources (HR)**
- **Equalities**
- **Crime and Disorder**
- **Property**
- **Other**

Legal Implications

11. The Council is statutorily obliged to consider its proportionality on committees and other relevant bodies and make appropriate appointments at its Annual Meeting, including considering whether to appoint an Executive and Executive Leader.

Risk Management

12. In compliance with the Council's risk management strategy, there are no known risks associated with the recommendations of this report, other than the failure to meet the above legal requirements and the risk

of a Council operating with no agreed political management arrangements (in the form of a decision making and scrutiny structure) should Annual Council fail to make any such arrangements.

Recommendations

13. Members are asked to:

- (i) consider the annexes attached to this report and agree the necessary proportionality arrangements for allocation to seats, together with proposals to form an Executive, appoint an Executive Leader and approve appropriate nominations to Committees and other bodies;
- (ii) establish an Appointments Panel for the recruitment of a new Chief Executive and approve the nominations for such a Panel set out in Annex C.

Reason:

To fulfil the Council's statutory requirements.

Contact details:

Author:
Dawn Steel
Democratic Services Manager
Tel: 01904 551030

Chief Officer Responsible for the report:
Quentin Baker
Head of Civic, Democratic and Legal Services

Report Approved **Date** 12.05.09

Specialist Implications Officer(s) None

Wards Affected: All

For further information please contact the author of the report

Annexes

- Annex A** - 2 options for forming an Executive/Shadow Executive 2009/10
- Annex B** - Allocation of seats 2009/10
- Annex C** - Appointments to Committees and other bodies 2009/10
- Annex C(i)** – Report on establishing Appointments Panel for the Post of Chief Executive.

Background Papers

None.

ANNEX A (OPTION 1)

City of York Council

Executive 2009/2010 – Liberal Democrat

*It is proposed that if Option 1 is approved, a member of the Liberal Democrat Group will also Chair the Gambling and Licensing Acts Committee and Cllr D'Agorne will be appointed as Cycling Champion.

Portfolio	Executive Member	Substitute
Leader (incorporating Economic Development and Community Safety)	Waller	Any Executive Member
Corporate Services	Moore	Any Executive Member
City Strategy	Galloway Steve	Any Executive Member
Children & Young People's Services	Runciman	Any Executive Member
Leisure, Culture & Social Inclusion	Ayre	Any Executive Member
Housing & Adult Social Services	Morley	Any Executive Member
Neighbourhood Services	Reid	Any Executive Member

Decision Making Sessions

Decision Making Session	Member	Substitute for Session
Executive Leader	Waller	Any Executive Member
Executive Member for Corporate Services	Moore	Any Executive Member
Executive Member for City Strategy	Galloway Steve	Any Executive Member
Executive Member for Children and Young People's Services	Runciman	Any Executive Member
Executive Member for Leisure, Culture and Social Inclusion	Ayre	Any Executive Member
Executive Member for Housing and Adult Social Services	Morley	Any Executive Member
Executive Member for Neighbourhoods	Reid	Any Executive Member

This page is intentionally left blank

ANNEX A (OPTION 1)

City of York Council

Shadow Executive 2009/2010 – Labour

Portfolio	Shadow Executive Member
Leader (incorporating Economic Development and Community Safety)	Scott
Corporate Services	Gunnell
City Strategy	Potter
Children & Young People's Services	Douglas
Leisure, Culture & Social Inclusion	Crisp
Housing & Adult Social Services	Simpson-Laing
Neighbourhood Services	King

This page is intentionally left blank

ANNEX A (OPTION 2)

City of York Council

Executive 2009/2010 – Labour

*It is proposed that if Option 2 is approved a member of the Labour Group will also Chair the Gambling and Licensing Acts Committee and Cllr Merrett will be appointed as Cycling Champion.

Portfolio	Executive Member	Substitute
Leader (incorporating Economic Development and Community Safety)	Scott	Any Executive Member
Corporate Services	Gunnell	Any Executive Member
City Strategy	Potter	Any Executive Member
Children & Young People's Services	Douglas	Any Executive Member
Leisure, Culture & Social Inclusion	Crisp	Any Executive Member
Housing & Adult Social Services	Simpson-Laing	Any Executive Member
Neighbourhood Services	King	Any Executive Member

Decision Making Sessions

Decision Making Session	Member	Substitute for Session
Executive Leader	Scott	Any Executive Member
Executive Member for Corporate Services	Gunnell	Any Executive Member
Executive Member for City Strategy	Potter	Any Executive Member
Executive Member for Children and Young People's Services	Douglas	Any Executive Member
Executive Member for Leisure, Culture and Social Inclusion	Crisp	Any Executive Member
Executive Member for Housing and Adult Social Services	Simpson-Laing	Any Executive Member
Executive Member for Neighbourhoods	King	Any Executive Member

ANNEX A (OPTION 2)

City of York Council

Shadow Executive 2009/2010 – Liberal Democrat

Portfolio	Shadow Executive Member
Leader (incorporating Economic Development and Community Safety)	Waller
Corporate Services	Moore
City Strategy	Galloway Steve
Children & Young People's Services	Runciman
Leisure, Culture & Social Inclusion	Ayre
Housing & Adult Social Services	Morley
Neighbourhood Services	Reid

This page is intentionally left blank

Allocation of Seats on Committees, Sub-Committees, Boards and Working Groups Between Political Groups 2009/2010

Note:

Seats in relation to the meetings below have been allocated between groups by agreement and in accordance with the rules on political balance contained within the Local Government and Housing Act 1989. Under the Local Government Act 2000, neither the Executive nor Shadow Executive are subject to proportionality requirements.

	Total	Lib Dem	Labour	Green	Con
Executive Function					
Executive	7				
Shadow Executive	7				
Staffing Matters & Urgency Committee Chair – Leader of Council	5	2	2	0	1
Quasi – Judicial/Regulatory Function					
	Total	Lib Dem	Labour	Green	Con
Planning Committee Chair-LD, VC-Lab	16	7	6	1	2
East Area Sub-Committee Chair-LD, VC-Lab	10	4	4	1	1
West Area & City Centre Sub-Committee Chair-Lab, VC-LD	9	4	3	0	2
Standards Committee	4	1	1	1	1
Independent Members Appointment Panel (standards)	2	1	1	0	0
Audit & Governance Chair-Lab, VC-Con	7	3	3	0	1
Gambling, and Licensing Acts Committee Chair-Lab, VC-Con	15	7	6	1	1
Licensing & Regulatory Committee Chair –Con VC- LD	5	2	2	0	1
Personnel Appeals Panel	3	1	1	0	1
Housing Appeals Panel	3	1	1	0	1
Education Appeals Panel	3	1	1	0	1
Environment Appeals Panel	3	1	1	0	1
Scrutiny Function					
	Total	Lib Dem	Labour	Green	Con
Scrutiny Management Committee Chair-Con, VC-Lab	8	3	3	1	1
Economic and City Development Overview & Scrutiny Committee	8	3	3	1	1
Effective Organisation Overview & Scrutiny Committee	8	3	3	1	1

Community Safety Overview & Scrutiny Committee	7	3	3	0	1
Health Overview & Scrutiny Committee	7	3	3	0	1
Learning and Culture Overview & Scrutiny Committee	8	3	3	1	1
Traffic Congestion Ad-Hoc Scrutiny Committee	7	3	3	0	1
Total seats to which proportionality must be applied	138				
Seat entitlement per Group		58	52	6	21
Current Actuals		56 (-2)	53	7 (+1)	20 (-1)
Available seat distribution subject to agreement		2 to Greens	1 from Cons	1 from Lib Dems	1 to Lab

Executive Working Groups

Note:

Seats on the working groups and partnership bodies below are not subject to the rules on political balance contained within the Local Government and Housing Act 1989. However seats on these bodies have been provisionally allocated on a virtually proportionate basis in accordance with Council's previous agreement.

	Total	Lib Dem	Labour	Green	Con
Social Inclusion Working Group	5	2	2	0	1
Chair – Executive Member for Social Inclusion					
Local Development Framework Working Group	8	3	3	1	1
Chair – Executive Member for City Strategy					
Young People's Working Group	6	3	3	0	0
Chair –					
Total seats available	19				
Suggested allocation per group		8	8	1	2

Partnership Bodies

	Total	Lib Dem	Labour	Green	Con
Joint Working – Strategic Partnerships					
Without Walls Partnership	3	1	1	0	1
Without Walls Partnership – Executive Delivery Board	1	1	0	0	0
York Environment Partnership	1	1			
Healthy City Board	3	1	1	0	1
Inclusive York Forum	2	1	1	0	0
Learning City York	1				

Safer York Partnership	1				
York@Large	1	1			
York Economic Partnership	3	1	1		1
	Total	Lib Dem	Labour	Green	Con
Active York	1	1			
Yor OK Board	2	1	1	0	0
York Central Steering Board	2	1	1	0	0
York Business Pride	1	1			
York Joint Consultative Committee	3	1	1	0	1
Joint Working - Other					
Quality Bus Partnerships	2	1	1	0	0
Ofsted Sub-Group	5	2	2	0	1
Energy Partnership Board	1	1			
The Energy Partnership	2	1	1	0	0
York-England.com	1				
North Yorkshire Fire & Rescue Authority	4	2	2	0	0
North Yorkshire Police Authority	2	1	1	0	0
Early Years and Extended Schools Partnership	2	1	1	0	0
“Visit York”	3	1	1	0	1
Valuing People Partnership Board	1				
York Compact Group	2	1	1	0	0
Schools Forum	2	1	1	0	0
LEA Admission Forum	2	1	1	0	0
The Derwenthorpe Partnership Forum	4	1	2	0	1
Supporting People Commissioning Body & Core Strategy Group	1	1	1		
Member Champions*					
Older Peoples Champion	7		1		
Heritage Champion				1	
Cycling Champion					1
Information Management & E Government Champion		1			
Children & Young People’s Champion			1		
Procurement, Efficiency & Risk Management Champion		1			
Energy Efficiency Champion		1			

**The nomination of Member Champions is not subject to proportionality. The number and designation of these 'Champions' is a matter for consideration by the political groups, with the exception of the Older and Young Peoples Champions to which the Older Peoples Assembly and a collective of schools and younger people nominate.*

Appointment of Chairs and Vice-Chairs of Committees, Sub-Committees and Working Groups 2009/2010

Executive Function	Chair	Vice - Chair
Executive	Waller (if option 1 approved) Scott (if option 2 approved)	
Urgency Committee	Waller	

Quasi-Judicial/Regulatory Function	Chair	Vice – Chair
Planning Committee	Richard Watson	Potter
East Area Planning Sub-Committee	Hyman	Cregan
West & City Centre Area Planning Sub-Committee	Horton	Sue Galloway
Standards Committee	Mrs C Bainton (Independent Member)	Horton
Independent Members Appointment Panel (Standards)	-	-
Audit & Governance Committee	B Watson	Brooks
Gambling, Licensing & Regulatory Committee	Sue Galloway (if option 1 approved) Merrett (if option 2 approved)	Wiseman
Licensing and Regulatory	Gillies	Moore
Corporate Appeals Panel	-	-
Housing Appeals Panel	-	-
Education Appeals Panel	-	-
Environment Appeals Panel	-	-

Scrutiny Functions	Chair	Vice - Chair
Scrutiny Management Committee	Healey	Funnell
Economic and City Development Overview & Scrutiny Committee	Pierce	Hudson
Effective Organisation Overview & Scrutiny Committee	Watt	To be confirmed
Community Safety Overview & Scrutiny Committee	Bowgett	Gillies
Health Overview & Scrutiny Committee	Alexander	Wiseman
Learning and Culture Overview & Scrutiny Committee	Looker	Brooks
Traffic Congestion Ad-Hoc Scrutiny Committee *	Merrett	Hudson

Chair determined by SMC

Executive Working Groups	Chair	Vice - Chair
Social Inclusion Working Group	Ayre	Crisp
Local Development Framework Working Group	Steve Galloway	Potter
Young People's Working Group	Looker	Runciman

Joint Working – Other	Chair	Vice - Chair
Inclusive York Forum	-	-
Learning Disabilities Integrated Service	-	-
Supporting People Commissioning Body & Core Strategy Group	-	-
York@Large	-	-

This page is intentionally left blank

City of York Council Committees, Sub-Committees, Working Groups and Partnership Bodies 2009/2010

Executive Functions

Staffing Matters and Urgency Committee (5)

Party	Composition	Membership	Status
Liberal Democrat	(2)	Runciman	(Vice Chair)
		Waller	(Chair)
		Reid	Substitute
		Moore	Substitute
Labour	(2)	Fraser	
		Scott	
		Horton	Substitute
Conservative	(1)	Potter	Substitute
		Gillies	
		Hudson	Substitute
		Watt	Substitute

Executive Advisory Groups

Social Inclusion Working Group (5)

Party	Composition	Membership	Status
Liberal Democrat	(2)	Ayre	(Chair)
		Aspden	
		Galloway Sue	Substitute
		Sunderland	Substitute
Labour	(2)	Crisp	(Vice Chair)
		Gunnell	
		Looker	Substitute
		Simpson-Laing	Substitute
Conservative	(1)	Brooks	
		Watt	Substitute
		Healey	Substitute

Community Group Non-Voting Co-opted Members

Sue Lister	Older People
Larry Hotchkiss	Older People
Sarah Fennell	Sexual Orientation
Peter Blackburn	Sexual Orientation
Rita Sanderson	Ethnicity
Daryoush Mazloum	Ethnicity
Corry Hewitt	York Interfaith
Paul Wordsworth	Churches Together in York
Fiona Walker	Valuing People Partnership
David Brown	Access Group
John Bettridge	York Mental Health Forum
Becca Cooper	York People First

Local Development Framework Working Group (8)

Party	Composition	Membership	Status
Liberal Democrat	(3)	Galloway Steve	(Chair)
		Reid	
		Watson Richard	
		Moore	Substitute
		Ayre	Substitute
		Waudby	Substitute
Labour	(3)	Potter	(Vice Chair)
		Simpson-Laing	
		Merrett	
		Pierce	Substitute
Conservative	(1)	Horton	Substitute
		Watt	
		Brooks	Substitute
Green	(1)	Wiseman	Substitute
		D'Agorne	
		Taylor	Substitute

Young People's Working Group (6)

Party	Composition	Membership	Status
Liberal Democrat	(3)	Ayre	
		Runciman	(Vice Chair)
		Aspden	
		Holvey	Substitute
		Vassie	Substitute
Labour	(3)	Looker	(Chair)
		Bowgett	
		Douglas	
		Alexander	Substitute
		Fraser	Substitute

Quasi-Judicial/Regulatory Function

Planning Committee (16)

Party	Composition	Membership	Status
Liberal Democrat	(7)	Firth	
		Jamieson-Ball	
		Moore	
		Reid	
		Morley	
		Watson Richard	(Chair)
		Hyman	
		Orrell	Substitute
		Ayre	Substitute
Vassie	Substitute		
Labour	(6)	Horton	
		Potter	(Vice-Chair)
		Simpson-Laing	
		Watson	
		Pierce	
		Funnell	
		King	Substitute
		Looker	Substitute
		Bowgett	Substitute
Conservative	(2)	Hudson	
		Wiseman	
		Gillies	Substitute
		Brooks	Substitute
Green	(1)	D'Agorne	
		Taylor	Substitute

East Area Planning Sub-Committee (10)

Party	Composition	Membership	Status
Liberal Democrat	(4)	Hyman	(Chair)
		Moore	
		Orrell	
		Firth	
		Watson Richard	Substitute
		Morley	Substitute
Labour	(4)	Jamieson-Ball	Substitute
		Cregan	(Vice-Chair)
		King	
		Douglas	
		Funnell	
		Pierce	Substitute
Conservative	(1)	Watson	Substitute
		Potter	Substitute
		Wiseman	
		Brooks	Substitute
Green	(1)	Watt	Substitute
		Taylor	
		D'Agorne	Substitute

West & City Centre Area Planning Sub-Committee (9)

Party	Composition	Membership	Status
Liberal Democrat	(4)	Galloway Steve	(Vice-Chair)
		Galloway Sue	
		Reid	
		Sunderland	
		Moore	Substitute
		Holvey	Substitute
		Waller	Substitute
Labour	(3)	Horton	(Chair)
		Watson	
		Crisp	
		Simpson-Laing	Substitute
		Bowgett	Substitute
Conservative	(2)	Galvin	
		Gillies	
		Wiseman	Substitute
		Healey	Substitute

Standards Committee (4)

Party	Composition	Membership	Status
Liberal Democrat	(1)	Waudby	
		Kirk	Substitute
		Watson R	Substitute
Labour	(1)	Horton	Vice-Chair
		Crisp	Substitute
		Scott	Substitute
Conservative	(1)	Hudson	
		Watt	Substitute
		Brooks	Substitute
Green	(1)	Taylor	
		D'Agorne	Substitute
Independent Member	1	Mrs C Bainton	Chair
Independent Member	1	Mr A L Dixon	
Independent Member	1	Mr M R Hall	
Independent Member	1	Mr D Wilson	
Parish Council Member	1	Cllr D Crawford	
Parish Council Member	1	Cllr B J Mellors	
Parish Council Member	1	Cllr D Forster	

Member Development Steering Group (3)

Party	Composition	Membership	Status
Liberal Democrat	1	Runciman	Chair
		Aspden	Substitute
Labour	1	Gunnell	
		Pierce	Substitute
Conservative	1	Wiseman	
		Healey	Substitute

Independent Members' Appointment Panel (Standards) (2)

Party	Composition	Membership	Status
Liberal Democrat	(1)	Waudby	
		Kirk	Substitute
		Watson R	Substitute
Labour	(1)	Fraser	
		Potter	Substitute
		Looker	Substitute

* Chair to be elected when Panel meets

Independent Remuneration Panel (4)

Composition – Independent Members

Audit and Governance Committee (7)

Party	Composition	Membership	Status
Liberal Democrat	(3)	Kirk Jamieson-Ball Watson Richard	
		Firth	Substitute
		Hyman	Substitute
Labour	(3)	Watson Bowgett Scott	(Chair)
		Gunnell	Substitute
		Simpson-Laing	Substitute
Conservative	(1)	Brooks	(Vice-Chair)
		Healey	Substitute
		Watt	Substitute

Gambling and Licensing Acts Committee (15)

Party	Composition	Membership	Status
Liberal Democrat	(7)	Galloway Sue Ayre Hyman Moore Orrell Reid Runciman	(Chair)
Labour	(6)	Merrett Looker Funnell Horton Watson Pierce	(Chair)
Conservative	(1)	Wiseman No substitute	(Vice-Chair)
Green	(1)	Taylor D'Agorne (sub)	

Licensing and Regulatory Committee (5)

Party	Composition	Membership	Status
Liberal Democrat	2	Moore	Vice-Chair
		Firth	
		Waudby	Substitute
Labour	2	Orrell	Substitute
		Horton	
		Looker	
Conservative	1	Watson	Substitute
		Funnell	Substitute
		Gillies	Chair
		No substitute	

Appeals Panels

Corporate Appeals Panel (3)

Party	Composition	Membership	Status
Liberal Democrat	(1)	Orrell	
		Firth	Substitute
		Hyman	Substitute
Labour	(1)	Fraser	
		Crisp	Substitute
		Potter	Substitute
Conservative	(1)	Hudson	
		Healey	Substitute
		Brooks	Substitute

Housing Appeals Panel (3)

Party	Composition	Membership	Status
Liberal Democrat	(1)	Galloway Sue	
		Waudby	Substitute
		Waller	Substitute
Labour	(1)	Simpson-Laing	
		Horton	Substitute
		Bowgett	Substitute
Conservative	(1)	Watt	
		Gillies	Substitute
		Wiseman	Substitute

Education Appeals Panel (3)

Party	Composition	Membership	Status
Liberal Democrat	(1)	Watson Richard	
		Orrell	Substitute
		Aspden	Substitute
Labour	(1)	Bowgett	
		Looker	Substitute
		Pierce	Substitute
Conservative	(1)	Brooks	
		Hudson	Substitute
		Healey	Substitute

Environment Appeals Panel (3)

Party	Composition	Membership	Status
Liberal Democrat	(1)	Moore	
		Runciman	Substitute
		Galloway Sue	Substitute
Labour	(1)	King	
		Potter	Substitute
		Bowgett	Substitute
Conservative	(1)	Wiseman	
		Watt	Substitute
		Gillies	Substitute

School Admission Appeals Panellists

Independent Panellists

Christine Burt

Jenny Caldwell

Joyce Clarke

Robin Cook

Michael Daly

Ian Dolben

Pauline Ensor

Valerie Foote

Christine Hanby

Colette Haynes

Jill Hetherton

Ron Humphrys

Malcolm Hutton

Keith Jacklin

Alison Jewitt

Philip Johnston

Trevor Langton

Olwen Petrie

Roger Shenton

Jill Thompson

Joan Visick

Mike Withers

Alison Yarrow

Scrutiny Functions

Scrutiny Management Committee (8)

Party	Composition	Membership	Status
Liberal Democrat	(3)	Orrell	
		Watson R	
		Waudby	
		Hyman	Substitute
		Aspden	Substitute
Labour	(3)	Funnell	(Vice-Chair)
		Simpson-Laing	
		Scott	
		Fraser	Substitute
		Horton	Substitute
Conservative	(1)	Healey	(Chair)
		Gillies	Substitute
		Watt	Substitute
Green	(1)	Taylor	
		D'Agorne	Substitute

Economic and City Development Overview & Scrutiny Committee (8)

Party	Composition	Membership	Status
Liberal Democrat	3	Hyman	
		Holvey	
		Kirk	
		Hogg	Substitute
		Jamieson-Ball	Substitute
Labour	3	Pierce	Chair
		Scott	
		Potter	
		Simpson-Laing	Substitute
		Watson	Substitute
Conservative	1	Hudson	Vice-Chair
		Gillies	Substitute
		Healey	Substitute
Green	1	D'Agorne Taylor	Substitute

Effective Organisation Overview & Scrutiny Committee (8)

Party	Composition	Membership	Status
Liberal Democrat	3	Watson R	
		Hyman	
		Firth	
		Jamieson-Ball	Substitute
Labour	3	Holvey	Substitute
		Merrett	
		Gunnell	
		Horton	
		Looker	Substitute
		Pierce	Substitute
Conservative	1	Watt	Chair
		Healey	Substitute
		Gillies	Substitute
Green	1	D'Agorne	
		Taylor	Substitute

Community Safety Overview and Scrutiny Committee (7)

Party	Composition	Membership	Status
Liberal Democrat	3	Orrell	
		Sunderland	
		Vassie	
		Waudby	Substitute
Labour	3	Firth	Substitute
		Bowgett	Chair
		Watson	
		King	
Conservative	1	Horton	Substitute
		Potter	Substitute
		Gillies	Vice-Chair
		Wiseman	Substitute
		Watt	Substitute

Health Overview & Scrutiny Committee (7)

Party	Composition	Membership	Status
Liberal Democrat	3	Galloway Sue	
		Aspden	
		Sunderland	
		Holvey	Substitute
Labour	3	Hogg	Substitute
		Alexander	Chair
		Simpson-Laing	
		Fraser	
		Funnell	Substitute
Conservative	1	King	Substitute
		Wiseman	Vice-Chair
		Gillies	Substitute
		Watt	Substitute

Learning and Culture Overview & Scrutiny Committee (8)

Party	Composition	Membership	Status
Liberal Democrat	3	Aspden	
		Waudby	
		Hogg	
		Firth	Substitute
Labour	3	Sunderland	Substitute
		Looker	Chair
		Douglas	
		Crisp	
		Watson	Substitute
		Merrett	Substitute
Conservative	1	Brooks	Vice-Chair
		Gillies	Substitute
		Hudson	Substitute
Green	1	Taylor	
		D'Agorne	Substitute

Statutory Co-opted Members

Mr W Schofield	Parent Governor Representative
Vacancy	Parent Governor Representative
Dr David Sellick	Church of England Representative
Vacancy	Catholic Representative

Traffic Congestion Ad-Hoc Scrutiny Committee (7)

Party	Composition	Membership	Status
Liberal Democrat	(3)	Holvey	
		Orrell	
		Vassie	
		Watson Richard	Substitute
		Kirk	Substitute
Labour	(3)	Merrett	(Chair)
		Simpson-Laing	
		Pierce	
		Potter	Substitute
		Alexander	Substitute
Conservative	(1)	Hudson	(Vice-Chair)
		Healey	Substitute
		Brooks	Substitute

Non-Voting Co-Optees

Mike Smith Emeritus Professor in the Department of Mathematics,
University of York

Matthew Page Institute of Transport Studies, Univ. of Leeds

* Constitutionally, Chair and Membership are to be determined by Scrutiny Management Committee in June. Nominations are included above for completeness.

Joint Working – Strategic Partnerships

Without Walls Partnership (3)

Party	Composition	Membership	Status
Liberal Democrat	(1)	Waller	
		Runciman	Substitute
Labour	(1)	Scott	
		Potter	Substitute
Conservative	(1)	Gillies	
		Hudson	Substitute

Without Walls Partnership – Executive Delivery Board (1)

Party	Composition	Membership	Status
Liberal Democrat	(1)	Waller	

York Environment Partnership (1)

Party	Composition	Membership	Status
Liberal Democrat	(1)	Reid	

Healthy City Board (3)

Party	Composition	Membership	Status
Liberal Democrat	(1)	Morley	
Labour	(1)	Alexander	
Conservative	(1)	Wiseman	

Economic Development Partnership Board (3)

Party	Composition	Membership	Status
Liberal Democrat	(1)	Waller	
Labour	(1)	Scott	
Conservative	(1)	Gillies	

Inclusive York Forum (2)

Party	Composition	Membership	Status
Liberal Democrat	(1)	Ayre	
Labour	(1)	Crisp	

Learning City (1)

Party	Composition*	Membership	Status
Liberal Democrat		Runciman	
Labour		Douglas	

* Allocation of seat subject to negotiation between political groups

Safer York Partnership (1)

Party	Composition*	Membership	Status
Liberal Democrat		Waller	
Labour		Scott	

*Allocation of seat subject to negotiation between political groups

York@Large (1)

Party	Composition	Membership	Status
-------	-------------	------------	--------

Liberal Democrat	(1)	Ayre	
------------------	-----	------	--

Active York (1)

Party	Composition	Membership	Status
-------	-------------	------------	--------

Liberal Democrat	(1)	Ayre	
------------------	-----	------	--

Labour		Crisp	Substitute
--------	--	-------	------------

Yor OK Board (2)

Party	Composition	Membership	Status
-------	-------------	------------	--------

Liberal Democrat	(1)	Runciman	
------------------	-----	----------	--

		Aspden	Substitute
--	--	--------	------------

Labour	(1)	Douglas	
--------	-----	---------	--

		Gunnell	Substitute
--	--	---------	------------

York Central Steering Board (2)

Party	Composition	Membership	Status
-------	-------------	------------	--------

Liberal Democrat	(1)	Waller	
------------------	-----	--------	--

Labour	(1)	Scott	
--------	-----	-------	--

York Business Pride (1)

Party	Composition	Membership	Status
-------	-------------	------------	--------

Liberal Democrat (1) Galloway Sue

York Joint Consultative Committee (3)

Party	Composition	Membership	Status
Liberal Democrat	(1)	Moore Galloway Steve	Substitute
Labour	(1)	Fraser	
Conservative	(1)	Gillies	

Joint Working – Other

Quality Bus Partnerships (2)

Party	Composition	Membership	Status
Liberal Democrat	(1)	Galloway Steve	
Labour	(1)	Potter	

Ofsted Sub-Group (5)

Party	Composition	Membership	Status
Liberal Democrat	(2)	Firth Runciman	
		Waudby	Substitute
		Aspden	Substitute
Labour	(2)	Douglas Looker	
		Merrett	Substitute
		Gunnell	Substitute
Conservative	(1)	Brooks	
		Wiseman	Substitute

Energy Partnership Board (1)

Party	Composition	Membership	Status
Liberal Democrat	(1)	Orrell	
Labour		King	Substitute

**The Energy Partnership (2)
(under the parent not for profit company of the Ryedale Energy Conservation Group (RECG))**

Party	Composition	Membership	Status
Liberal Democrat	(1)	Waller	
Labour	(1)	King	

York – England.com (1)

Party	Composition	Membership	Status
Liberal Democrat	(1)	Hyman	

* Allocation of seat subject to negotiation between political groups.

North Yorkshire Fire and Rescue Authority (4)

Party	Composition	Membership	Status
Liberal Democrat	(2)	Aspden Holvey	
		Morley	Substitute
		Reid	Substitute
Labour	(2)	King Funnell	
		Horton	Substitute
		Pierce	Substitute

North Yorkshire Police Authority (2)

Party	Composition	Membership	Status
Liberal Democrat	(1)	Orrell	
Labour	(1)	Potter	

Early Years and Extended Schools Partnership (2)

Party	Composition	Membership	Status
Liberal Democrat	(1)	Runciman	
Labour	(1)	Douglas	

“Visit York” (3)

Party	Composition	Membership	Status
Liberal Democrat	(1)	Hogg	
Labour	(1)	Crisp	
Conservative	(1)	Gillies	

Valuing People Partnership Board (1)

Party	Composition*	Membership	Status
Liberal Democrat		Ayre	
Labour		Simpson-Laing	

*Allocation of seat subject to negotiation between political groups.

York Compact Group (2)

Party	Composition	Membership	Status
Liberal Democrat	(1)	Ayre	
Labour	(1)	Crisp	

Schools Forum (2)

Party	Composition	Membership	Status
Liberal Democrat	(1)	Runciman	
Labour	(1)	Douglas	

LEA Admission Forum (2)

Party	Composition	Membership	Status
Liberal Democrat	(1)	Runciman	
Labour	(1)	Douglas	

The Derwenthorpe Partnership Forum (4)

Party	Composition	Membership	Status
Liberal Democrat	(1)	Morley	
		Galloway Sue	Substitute
Labour	(2)	Cregan Potter	
		Funnell	Substitute
		Pierce	Substitute
Conservative	(1)	Brooks	
		Wiseman	Substitute

Supporting People Commissioning Body & Core Strategy Group (2)

Party	Composition	Membership
Labour	(1)	Simpson-Laing
Liberal Democrat	(1)	Morley

Terry's Community Forum (5)

	Composition	Membership
Micklegate (Labour)	(2)	Merrett Gunnell
Dringhouses & Woodthorpe (Liberal Democrat)	(1)	Holvey
Bishopthorpe (Conservative)	(1)	Mr Glyn Drummond
Fishergate (Green)	(1)	Taylor

Member Champions (7)

Older People's Champion	Hyman
Deputy Older People's Champion	Funnell
Information Management and E-Government Champion	Ayre
Children and Young People's Champion	Alexander
Efficiency, Procurement and Risk Management Champion	Holvey
Energy Efficiency Champion	Vassie
Heritage Champion	Taylor
Cycling Champion	Merrett and/or D'Agorne (to be agreed)

Appointments Panel for the Recruitment of new Chief Executive

Party	Composition	Membership	Status
Liberal Democrat	2	Waller	
		Runciman	
		tbc	Substitute
Labour	2	Scott	
		Bowgett	
		Potter	Substitute
Conservative	1	Gillies	
		tbc	Substitute

**CITY OF YORK COUNCIL
APPOINTMENTS TO OUTSIDE ORGANISATIONS 2009/10**

CATEGORIES

- 1 Agreed Member Level Appointment - At least one to be Executive Member.
 2 Bodies where at least one Council appointee should be a Member.
 3a Appointments which may be made at Member or Community Rep Level.
 3b The Council not longer has any formal appointments on the following Bodies but details are included for information purposes only where Community representation (including existing or former Members of the Council) has been notified to us.
 4 Bodies where any Member representation should be a Ward or Community member.

* Council Member places on various internal drainage boards allocated by Council to nominated Parish Council representatives

Organisation	Appointee(s)	Category	Total No of Members	Lib Dem	Lab	Con	Green	Total No of Reps Entitled	Member	Community Reps
Acaster Internal Drainage Board	Mr D Livesley Mr S Smith (Parish Council) 1 Officer 4 Vacancies	3b						7	*	
Adoption Panel	Morley	2	1							
Appleton Roebuck and Copmanthorpe Internal Drainage Board	Mrs S Ventrus (Parish Council) 1 Officer 4 Vacancies	3b						6	*	
Arlish and Chambers Charity (W) Christ Parish Estate Charity	Mr J Archer and Mr H Briggs	3b						3		
Local Government North Yorkshire and York (previously Association of North Yorkshire Councils)	Waller (sub Runciman)	1	1							
Bell Farm Adventure Playground	Funnell, Potter	3b						2	2	
Bell Farm Social Hall Management Committee	Potter, Funnell	4						3	2	1
Bookstart Steering Group	Runciman	2	1							
Burton Stone Community Centre	King, Douglas Sub: Scott	4						3	2	
Charity of Jane Wright	Mrs D Cooper, Miss A Sains	3b						2		2
City Region Transport Panel	SF Galloway (Leader)	1	1							
Clifton Backies Management Board	Douglas, Moore, Waudby, Scott(sub) Mr B Williams, Parks & Open Spaces Officer	4						3	3	

**CITY OF YORK COUNCIL
APPOINTMENTS TO OUTSIDE ORGANISATIONS 2009/10**

CATEGORIES

- 1 Agreed Member Level Appointment - At least one to be Executive Member.
 2 Bodies where at least one Council appointee should be a Member.
 3a Appointments which may be made at Member or Community Rep Level.
 3b The Council not longer has any formal appointments on the following Bodies but details are included for information purposes only where Community representation (including existing or former Members of the Council) has been notified to us.
 4 Bodies where any Member representation should be a Ward or Community member.

* Council Member places on various internal drainage boards allocated by Council to nominated Parish Council representatives

Organisation	Appointee(s)	Category	Total No of Members	Lib Dem	Lab	Con	Green	Total No of Reps Entitled	Member	Community Reps
Clifton Moor Residents Association	Waudby	4						1	1	
Consultation Meetings with looked After Children "Show Me That I Matter"	Runciman, Gunnell (Subs: Aspden, Douglas)	2	2	1	1					
East Yorkshire Valuation Tribunal	Mr M Campbell, Mr A Webster, Mr P J Bartle (6 year appointment - 31 March 2006) Mr P J Bartle (31/03/09)	3a						7	2	5
Foss Internal Drainage Board	Wiseman Mr D Crossley, Mr AS Richardson, Mr P Norman, Mr D Atlay, Mr R Jones, (Parish Councillors) 1 Officer 7 Vacancies	3b						14	*	
Fostering & Sharing Care Panel	Runciman	2	1							
Foxwood Community Centre	Galloway S	4						1	1	
Friends of St Nicholas Fields	Funnell	4						1	1	
Fulford Parish Council Cemetery Committee	Aspden	4						1	1	
Glen Family Resource Centre (The) - <i>Members' Quarterly Visits to Childrens' Homes</i>	Funnell, S Galloway, Wiseman	2	3	1	1					
Golden Triangle Partnership Board/ Regional Housing Board	Morley (Exec Member Housing) Head of Housing	1	1							
Heslington East Community Forum	Aspden, Morley, Taylor, Jamieson-Ball, Pierce	4						No set figure	3	

**CITY OF YORK COUNCIL
APPOINTMENTS TO OUTSIDE ORGANISATIONS 2009/10**

CATEGORIES

- 1 Agreed Member Level Appointment - At least one to be Executive Member.
 2 Bodies where at least one Council appointee should be a Member.
 3a Appointments which may be made at Member or Community Rep Level.
 3b The Council not longer has any formal appointments on the following Bodies but details are included for information purposes only where Community representation (including existing or former Members of the Council) has been notified to us.
 4 Bodies where any Member representation should be a Ward or Community member.

* Council Member places on various internal drainage boards allocated by Council to nominated Parish Council representatives

Organisation	Appointee(s)	Category	Total No of Members	Lib Dem	Lab	Con	Green	Total No of Reps Entitled	Member	Community Reps
Hull University Court (Class 3)	Labour - not appointing LD – not appointing	2	2							
Hull University Court (Class 6)	Ex Officio – as Lord Mayor	2	1							
Kyle and Upper Ouse Internal Drainage Board	Moore, Waudby Cllr R Binns, Mrs Celia Rutt, Mr Philip Proctor, (Parish Councillors) 1 Officer 3 Vacancies	3b						9	*	
Leeman Road Millennium Green Trust	Crisp, Bowgett	4						2	2	
Local Access Forum	Crisp, Moore	2	2	1	1					
Local Government Association – General Assembly	Waller, Orrell LD Sub: Runciman Potter, Scott Sub: Fraser	1	4	2	2					

**CITY OF YORK COUNCIL
APPOINTMENTS TO OUTSIDE ORGANISATIONS 2009/10**

CATEGORIES

- 1 Agreed Member Level Appointment - At least one to be Executive Member.
 2 Bodies where at least one Council appointee should be a Member.
 3a Appointments which may be made at Member or Community Rep Level.
 3b The Council not longer has any formal appointments on the following Bodies but details are included for information purposes only where Community representation (including existing or former Members of the Council) has been notified to us.
 4 Bodies where any Member representation should be a Ward or Community member.

* Council Member places on various internal drainage boards allocated by Council to nominated Parish Council representatives

Organisation	Appointee(s)	Category	Total No of Members	Lib Dem	Lab	Con	Green	Total No of Reps Entitled	Member	Community Reps
Local Government Association – Rural Commission	Ayre (Leisure & Culture Portfolio) Crisp	1	2	1	1					
Local Government Association – Urban Commission	Reid (Neighbourhoods Portfolio) King	1	2	1	1					
Local Government Information Unit	Waller, Scott Subs: Runciman, Potter	1	2	1	1					
Local Government Yorkshire and Humber Employers Committee *Sub group of Local Government Yorkshire and Humber	Firth, Fraser	2	2	1	1					
Local Government Yorkshire and Humber Executive Board	Waller, Runciman LD Sub: Reid Scott, Potter Sub: Fraser	1	4	2	2					
Local Government Yorkshire and Humber Regional Improvement & Efficiency Partnership (New from June 2008)	Runciman Sub: Moore	1	1	1						
Local Government Yorkshire and Humber	Waller (Leader)	1	1							

**CITY OF YORK COUNCIL
APPOINTMENTS TO OUTSIDE ORGANISATIONS 2009/10**

CATEGORIES

- 1 Agreed Member Level Appointment - At least one to be Executive Member.
 2 Bodies where at least one Council appointee should be a Member.
 3a Appointments which may be made at Member or Community Rep Level.
 3b The Council no longer has any formal appointments on the following Bodies but details are included for information purposes only where Community representation (including existing or former Members of the Council) has been notified to us.
 4 Bodies where any Member representation should be a Ward or Community member.

* Council Member places on various internal drainage boards allocated by Council to nominated Parish Council representatives

Organisation	Appointee(s)	Category	Total No of Members	Lib Dem	Lab	Con	Green	Total No of Reps Entitled	Member	Community Reps
Marston Moor Internal Drainage Board	1 Officer 10 Vacancies	3b						11		
Menwith Hill Forum	Scott Sub: D'Agorne (<i>Subject to clarification of number of members on the Forum</i>)	2	1							
Micklegate York Charitable Trust	Gunnell	4						1		
National Parking Adjudication Service Joint Committee (NPAS)	SF Galloway (Planning & Transport Portfolio)	1	1							
North Yorkshire Culture	Ayre (Executive Member for Leisure & Culture)	1	1							
North Yorkshire Housing Partnership	Morley (Executive Member for Housing)	1	1							
Ouse and Derwent Internal Drainage Board	Mr R W Bramley (Parish Councillor) 1 Officer 3 Vacancies	3b						5	*	
Peasholme Centre Management Committee	Morley, Simpson-Laing	2	2	1	1					
Pension Fund Sub-Committee	Moore Sub: Gunnell	1	1							
Portage Steering Group	Runciman	1	1							
Regional Spatial Planning Advisory Board (Part of Yorkshire Forward)	Reid Sub: Watson R	1	1							
Regional Transport Advisory Board (Part of Yorkshire Forward)	SF Galloway Sub: Potter	2	2	1	1					
Reserve Forces & Cadets Association for Yorkshire & the Humber	Kirk	2	1							

**CITY OF YORK COUNCIL
APPOINTMENTS TO OUTSIDE ORGANISATIONS 2009/10**

CATEGORIES

- 1 Agreed Member Level Appointment - At least one to be Executive Member.
 2 Bodies where at least one Council appointee should be a Member.
 3a Appointments which may be made at Member or Community Rep Level.
 3b The Council not longer has any formal appointments on the following Bodies but details are included for information purposes only where Community representation (including existing or former Members of the Council) has been notified to us.
 4 Bodies where any Member representation should be a Ward or Community member.

* Council Member places on various internal drainage boards allocated by Council to nominated Parish Council representatives

Organisation	Appointee(s)	Category	Total No of Members	Lib Dem	Lab	Con	Green	Total No of Reps Entitled	Member	Community Reps
Ryedale Energy Conservation Group	Waller, Pierce	2	1							
SACRE (Standing Advisory Conference on Religious Education)	Firth, Runciman, Funnell, Pierce	2	4	2	2					
Science City York	Hyman + Chief Executive	2	1							
Selby Coalfield Joint Consultative Committee	Vassie	4						1	1	
Shopmobility York	Firth	2	1							
SNAPPY	Aspden, Bowgett	3a						2	2	
St Michael le Belfrey with St Wilfred Charities for the Poor	Moore	3a						1	1	
St Wilfred's Eleemosynary Charity	Waller, B Watson	2	2	1	1					
Swimming Pool Steering Group (University of York – City Partnership)	Ayre (Portfolio Member) Crisp Jamieson-Ball (Ward Member)	1	3	2	1					
Tang Hall Community Centre	Pierce	4						2	2	
University of York Court	Executive Member for Children's Services (Ex officio member)	2	1							
19 Wenlock Terrace - Members' Quarterly Visits to Children's Homes	Aspden Douglas	2	2	1	1					

**CITY OF YORK COUNCIL
APPOINTMENTS TO OUTSIDE ORGANISATIONS 2009/10**

CATEGORIES

- 1 Agreed Member Level Appointment - At least one to be Executive Member.
 2 Bodies where at least one Council appointee should be a Member.
 3a Appointments which may be made at Member or Community Rep Level.
 3b The Council not longer has any formal appointments on the following Bodies but details are included for information purposes only where Community representation (including existing or former Members of the Council) has been notified to us.
 4 Bodies where any Member representation should be a Ward or Community member.

* Council Member places on various internal drainage boards allocated by Council to nominated Parish Council representatives

Organisation	Appointee(s)	Category	Total No of Members	Lib Dem	Lab	Con	Green	Total No of Reps Entitled	Member	Community Reps
York Advice Service Partnership (YASP)	Morley	2	1							
York and District Citizen's Advice Bureau	Ayre	2	1							
York & North Yorkshire Development Board	Waller Scott	1	2	1	1					
York and North Yorkshire Playing Fields Association	Crisp, Moore	2	2	1	1					
York & North Yorkshire Waste Management Partnership	SF Galloway (Neighbourhoods Portfolio)	1	1							
York Business Development Ltd	Gunnell, Moore	2	2	1	1					
York Business School Ltd	Moore	2	1							
York City Charities	Gunnell	3b								2
York College Governing Body	Runciman (4 year term of office)	2	1							
York Community Legal Advice Partnership Steering Group	Morley	2	1							
York CVS Board of Trustees	Ayre Fraser	3a						2	2	
York Environment Forum (LSP)	No LD nomination (Neighbourhoods Portfolio) Potter, Watt, D'Agorne	2	6	2	2	1	1			
York Fairtrade City Steering Group	Waller (Neighbourhoods Portfolio)	1	1							
York Museums Trust	Hogg, Looker	2	2	1	1					

**CITY OF YORK COUNCIL
APPOINTMENTS TO OUTSIDE ORGANISATIONS 2009/10**

CATEGORIES

- 1 Agreed Member Level Appointment - At least one to be Executive Member.
 2 Bodies where at least one Council appointee should be a Member.
 3a Appointments which may be made at Member or Community Rep Level.
 3b The Council not longer has any formal appointments on the following Bodies but details are included for information purposes only where Community representation (including existing or former Members of the Council) has been notified to us.
 4 Bodies where any Member representation should be a Ward or Community member.

* Council Member places on various internal drainage boards allocated by Council to nominated Parish Council representatives

Organisation	Appointee(s)	Category	Total No of Members	Lib Dem	Lab	Con	Green	Total No of Reps Entitled	Member	Community Reps
York NHS Foundation Trust – Members Council (Now reduced to 2 members)	Fraser, Kirk	2	3	1	1	1				
York Science Park (Innovation Centre) Ltd	Jamieson-Ball	2	1							
York St John University	Pierce (3 year appointment)	4						1	1	
York Theatre Royal Board (nos of CYC reps reduced to 3 from 21/11/06)	Runciman, Reid and Crisp	2	3	2	1					
York Wheels	Potter	3a						1	1	
Yorkshire and Humber Assembly	Waller (but defunct shortly)	1	1							
Yorkshire and Humberside Regional Housing Forum	Morley (but defunct shortly)	2	1	1						
Yorkshire and Humberside Pollution Advisory Committee	Reid	2	1							
Yorkshire Housing Association	R Watson	2	1							
Yorkshire Purchasing Organisation	Horton, Moore	2	2	1	1					
Yorkshire Purchasing Organisation Disciplinary and Appeals Sub Committee	Runciman, Looker	2	1							
Yorkshire Regional Flood Defence Committee (jointly with NYCC) † †Subject to confirmation with the outside body involved.	Waller (Neighbourhoods Portfolio)	1	1							
Yorkshire Rural Community Council	Vassie	3a						1	1	
Yorventure Management Group	Reid	2	1							

**CITY OF YORK COUNCIL
APPOINTMENTS TO OUTSIDE ORGANISATIONS 2009/10**

CATEGORIES

- 1 Agreed Member Level Appointment - At least one to be Executive Member.
- 2 Bodies where at least one Council appointee should be a Member.
- 3a Appointments which may be made at Member or Community Rep Level.
- 3b The Council not longer has any formal appointments on the following Bodies but details are included for information purposes only where Community representation (including existing or former Members of the Council) has been notified to us.
- 4 Bodies where any Member representation should be a Ward or Community member.

* Council Member places on various internal drainage boards allocated by Council to nominated Parish Council representatives

Organisation	Appointee(s)	Category	Total No of Members	Lib Dem	Lab	Con	Green	Total No of Reps Entitled	Member	Community Reps
Yorwaste	Reid	2	1							

This page is intentionally left blank

City of York Council Ward Committee Membership 2009/2010

Ward Committee	Membership
Acomb	Horton and Simpson-Laing
Bishopthorpe	Galvin
Clifton	Douglas, King and Scott
Derwent	Brooks
Dringhouses and Woodthorpe	Holvey, Reid and Sunderland
Fishergate	D'Agorne and Taylor
Fulford	Aspden
Guildhall	Looker and B Watson
Haxby and Wigginton	Firth, Hogg and R Watson
Heslington	Jamieson – Ball
Heworth	Blanchard, Funnell and Potter
Heworth Without	Ayre
Holgate	Alexander, Bowgett and Crisp
Hull Road	Cregan and Pierce
Huntington and New Earswick	Hyman, Orrell and Runciman
Micklegate	Fraser, Gunnell and Merrett
Osbaldwick	Morley
Rural West York	Gillies, Healey and Hudson
Skelton, Rawcliffe and Clifton Without	Moore, Watt and I Waudby
Strensall	Kirk and Wiseman
Westfield	Steve Galloway, Sue Galloway and Waller
Wheldrake	Vassie

This page is intentionally left blank



Council**21 May 2009**

Report of the Head of Human Resources & Organisational Development

Appointments Committee for the Post of Chief Executive**Summary**

1. This report seeks formal approval to establish an Appointments Committee for the post of Chief Executive and to delegate sufficient powers to that committee to enable it to conduct the recruitment process, select and appoint a candidate, subject to the requirements of the standing orders on appointment.
2. The Council's Chief Executive, who is also the Head of Paid Service, has signalled his intention to resign from his post. He will serve three months' notice and will leave the Council at a date to be agreed in July 2009. This report is being considered because of the need to appoint a successor to ensure continued, effective leadership of the Council and satisfy the statutory requirement to have in post a Head of Paid Service.

Background

3. Standing Order 40 (c) (1) of the Council's Constitution requires that an Appointments Committee, including at least one member of the Executive, interviews all qualified applicants for Chief Officer posts or selects a shortlist of such applicants and interviews those on this shortlist.
4. It is requested that for the Chief Executive Appointments Committee, the Committee be constituted on a 2:2:1 basis. This will mean that there will be two Liberal Democrat members, two Labour members and one Conservative member.

Consultation

5. Consultation has taken place with the Leader of the Council and the current Chief Executive regarding appointment to the post of Chief Executive. It is requested that the three largest political groups now nominate members to participate in the Appointments Committee,

Options

6. There are no alternative options for Members to consider, other than simply not proceeding with the recruitment to the post and appointing an existing officer to take on the statutory responsibilities of Head of Paid Service. The failure to create an Appointments Committee at this stage would delay any subsequent appointment to the post and mean that potentially a new Chief Executive would not be in post until January 2010. This would put the organisation at significant risk in terms of continuity and leadership.

Corporate Priorities

7. Making an appointment to this post will contribute to delivering the Corporate Strategy by supporting the Council's values and all of the improvement statements.

Implications

8. The following implications have been considered:
 - **Financial** – The Chief Executive's Department will bear the cost of recruitment to this post from within current resources.
 - **Human Resources (HR)** –The Appointments Committee is in line with the constitutional requirements for the recruitment and appointment of Chief Officers. The appointment will be carried out in accordance with the Chief Officer recruitment protocol attached (Annex A).
 - **Equalities** - There are no equalities implications.
 - **Legal** – The Appointments Committee is created pursuant to S.102 (c) of the local Government Act 1972 and its terms of reference are to exercise the functions of the Council in relation to the selection and appointment of the successful applicant in respect of the vacant post of Chief Executive. The proceedings of the Appointments Committee are likely to be held mainly in exempt session due to the nature of the information that it will be considering.

In circumstances where the appointing committee agrees, without any member voting against, S.17 of the Local Government & Housing Act 1989 provides that the distribution of seats on a sub-committee need not comply with the political balance requirements contained in Part 1 of that Act.

The process of appointing officers of this level is regulated by the Local Authority (Standing Orders) (England) Regulations 2001. Amongst other things, these regulations require that an appointment committee must include at least one member of the Executive and further, that no formal offer of appointment may be made until all members of the Executive have been informed of the details of the intended appointee, and have raised no objection within the specified period, (usually 5 clear days).

- **Crime and Disorder** – There are no crime and disorder implications.
- **Information Technology (IT)** – There are no IT implications.
- **Property** – There are no property implications.
- **Other** – There are no other implications.

Risk Management

9. There are no known risks associated with the recommendations of this report.

Recommendations

10. It is recommended that Council:
- i Establishes an Appointments Committee consisting of five members, two from Liberal Democrat, two from Labour and one Conservative, as nominated in Annex C to the report on the allocation of and appointment to places on the agenda for this meeting;
 - ii The Appointments Committee be authorised to conduct the final interviews and recommend a successful candidate to full Council, and make an offer of employment subject to the necessary employment procedures and any appropriate Council approvals required under the Constitution.

Reason: To allow appointment to the post of Chief Executive and Head of Paid Service to be made.

Contact Details

Author:

Angela Wilkinson
Head of Human Resources &
Organisational Development

Chief Officer Responsible for the report:

Angela Wilkinson
Head of Human Resources & Organisational
Development

Report Approved

Date *Insert Date*

Specialist Implications Officer(s)

Legal: Glen McCusker, Senior Solicitor
Human Resources: Angela Wilkinson, Head of HR & OD
Finance: Patrick Looker, Finance Manager

Wards Affected:

All

For further information please contact the author of the report

Background Papers:

None.

Annexes:

Annex A - Chief Officer recruitment protocol

Annex A Chief Officer* Recruitment Process - Officer / Members decisions

* A Chief Officer is defined as an officer who is employed under the Joint Negotiating Committee for Chief Officers of Local Authorities Terms & Conditions.

Key Recruitment & Selection decision stages	Officer Decision / Member Decision
1. Develop proposal to create a new or amend an existing Chief Officer post	Officer decision: Chief Executive or Director
2. Establish a new temporary or permanent Chief Officer post	Member decision
3. Develop and agree Job description & Person Specification	Officer decision
4. Confirm the grade of the post	Officers to implement job evaluation outcomes within Chief Officer pay structure
5. Agree recruitment budget	Officers decision subject to budgetary provision
6. Commence recruitment activity	Officer proposal subject to Member decision
7. Establish Appointments Committee	Officer proposal subject to Member decision
8. Confirm method to source applicants i.e. advert, use of search / consultancy services	Appointments Committee subject to proposal from Officers (Chief Executive or Director and Head of Human Resources or nominated substitute). Proposal to include recommendation on advertising media and a recommendation to use external recruitment consultants or run in-house and if so, what services to use. Options include search, response handling, technical assessment, long-listing, shortlisting, support at final stage or a combination therein. Criteria to be considered are: <ul style="list-style-type: none"> i. Grade and salary in relation to the market; ii. Current employment market situation; iii. Design of post and likelihood of direct skills match; iv. Technical expertise being sought; v. Ability to conduct technical assessment in-house; vi. CYC capacity to handle in-house.
9. Long-list applicants	Officer decision in accordance with job description and person specification
10. Interview long listed applicants / conduct selection tests / assessment centre	Officer panel or recruitment consultant
11. Short list applicants	Officer decision in accordance with job description and person specification
12. Informal reception event(s) for short listed candidates (not part of the recruitment process)	Officer decision in consultation with Appointments Committee to determine invitees
13. Final selection process	Appointments Committee, advised by Officers (Chief Executive or relevant Director and Head of Human Resources, or nominated substitute) and recruitment consultants (if appropriate)
14. Determine salary of role to be offered	Appointments Committee, subject to Council pay policy and within job evaluated range for post

15. Agree appointment	Appointments Committee subject to Standing Orders (objections from the Executive)
-----------------------	--

**City of York Council
Annual Council Meeting
21 May 2009**

Amendments to Agenda Item 5

**Annex A (OPTION 2) - Shadow Executive 2009/2010 – Liberal Democrat
(page 13)**

**This option includes the following Liberal Democrat nominations for
Scrutiny Chair and Vice-Chairs:**

- Economic and City Development Overview and Scrutiny - Cllr Kirk (Chair)
- Community Safety Overview and Scrutiny – Cllr Sunderland (Chair)
- Learning and Culture Overview and Scrutiny – Cllr Aspden (Chair)
- Health Overview and Scrutiny – Cllr Sue Galloway (Chair)
- Scrutiny Management Committee – Cllr R Watson (Vice-Chair)
- Effective Organisation Overview and Scrutiny – Cllr Firth (Vice-Chair)
- Traffic Congestion Ad-hoc Scrutiny Committee – Cllr Holvey (Chair)

**Annex C - City of York Council Committees, Sub-Committees, Working
Groups and Partnerships Bodies 2009/2010**

Strategic Policy Panel – the following nominations to be agreed if Members vote to establish the SPP for one meeting only, to deal with the referral to SPP of which notice was given on 20 May 2009:

Liberal Democrat	(5)	Galloway Steve	
		Galloway Sue	
		Moore	
		Runciman	(Vice Chair)
		Waller	(Chair)
		Reid	Substitute
		Vassie	Substitute
		Orrell	Substitute
		Hyman	Substitute
Labour	(4)	Looker	
		Potter	
		Scott	
		Simpson-Laing	
		Gunnell	Substitute
		Merrett	Substitute
		King	Substitute
Conservative	(1)	Gillies	
		Healey	Substitute

	Hudson	Substitute
Green	(1) Taylor	
	D'Agorne	Substitute

Gambling & Licensing Acts Committee (page 33)

No substitutes will be appointed to this committee.

Licensing & Regulatory Committee (page 34)

Cllr Wiseman has been nominated as the Conservative substitute.

Partnerships/Outside Bodies

Page 46:

- Learning City – City of York Council has two representatives on this partnership body. Nominations received are Cllr Runciman and Cllr Douglas.
- Safer York Partnership – City of York Council has one representative on this body.
- Waste Management Members Joint Advisory Group (MEMJAG) – this group has disbanded, so no members will be appointed.

Page 57:

- City Region Transport Panel – nominee should be the Executive Leader

Page 63:

- York & North Yorkshire Waste Management Partnership – nominee should be the Executive Member for Neighbourhood Services
- York Fairtrade City Steering Group – nominee should be the Executive Member for Neighbourhood Services

Page 64:

- Yorkshire Regional Flood Defence Committee – nominee should be the Executive Member for Neighbourhood Services